

T500
Piastrina di Collegamento
Connection Plate

MINI

Codice Code	
T50000000000	FRL 0
T50010000000	FRL 1
T50020000000	FRL 2
T50030000000	FRL 3

T505
Gruppo Terminali
Ends Unit


Codice Code	
T505102000000	FRL 1 1/8
T505103000000	FRL 1 1/4
T505104000000	FRL 1 3/8
T505203000000	FRL 2 1/4
T505204000000	FRL 2 3/8
T505205000000	FRL 2 1/2
T505305000000	FRL 3 1/2
T505307000000	FRL 3 3/4
T505309000000	FRL 3 1"

T510
Gruppo di Collegamento
Connection Unit


Codice Code	
T510102000000	FRL 1 1/8
T510103000000	FRL 1 1/4
T510104000000	FRL 1 3/8
T510203000000	FRL 2 1/4
T510204000000	FRL 2 3/8
T510205000000	FRL 2 1/2
T510305000000	FRL 3 1/2
T510307000000	FRL 3 3/4
T510309000000	FRL 3 1"

T540
Gruppo Portafiltro
Filter Ring Device

MINI

T540000100000	FRL 0 5 µm
T540000200000	FRL 0 20 µm
T540000300000	FRL 0 50 µm
T540100100000	FRL 1 5 µm
T540100200000	FRL 1 20 µm
T540100300000	FRL 1 50 µm
T540200100000	FRL 2 5 µm
T540200200000	FRL 2 20 µm
T540200300000	FRL 2 50 µm
T540300100000	FRL 3 5 µm
T540300200000	FRL 3 20 µm
T540300300000	FRL 3 50 µm

T545
Filtro a Coalescenza
Coalescer Filter

MINI

Codice Code	
T545000000000	FRL 0
T545100000000	FRL 1
T545200000000	FRL 2
T545300000000	FRL 3

MAN01
Manometro
Manometer


Codice Code	
MAN01N2040000	Ø40 0-12 bar R1/8

REG06
Molla di Registro
Register Spring


Codice Code	
REG06005401SC	FRL 0 0-2 BAR
REG06005402SC	FRL 0 0-4 BAR
REG06005403SC	FRL 0 0-8 BAR
REG06005404SC	FRL 0 0-12 BAR
REG06105401SC	FRL 1 0-2 BAR
REG06105402SC	FRL 1 0-4 BAR
REG06105403SC	FRL 1 0-8 BAR
REG06105404SC	FRL 1 0-12 BAR
REG06205401SC	FRL 2 0-2 BAR
REG06205402SC	FRL 2 0-4 BAR
REG06205403SC	FRL 2 0-8 BAR
REG06205404SC	FRL 2 0-12 BAR
REG06305401SC	FRL 3 0-2 BAR
REG06305402SC	FRL 3 0-4 BAR
REG06305403SC	FRL 3 0-8 BAR
REG06305404SC	FRL 3 0-12 BAR

REG09
Gruppo Membrana
Membrane Unit


Codice Code	
REG09001700SC	FRL 0
REG09101700SC	FRL 1
REG09201700SC	FRL 2
REG09301700SC	FRL 3

T550

Gruppo Venturi
Venturi Unit



Codice Code	
T55000000000	FRL 0
T55010000000	FRL 1
T55020000000	FRL 2
T55030000000	FRL 3

T560

Gruppo Dosatore Olio
Oil Feeding Device



Codice Code	
T56010000000	FRL 0
T56010000000	FRL 1
T56010000000	FRL 2
T56010000000	FRL 3

T570

Gruppo di Regolazione
Regulating Device



Codice Code	
T57000010000	FRL 0 0-2 BAR
T57000020000	FRL 0 0-4 BAR
T57000030000	FRL 0 0-8 BAR
T57000040000	FRL 0 0-12 BAR
T57010001000	FRL 1 0-2 BAR
T57010002000	FRL 1 0-4 BAR
T57010003000	FRL 1 0-8 BAR
T57010004000	FRL 1 0-12 BAR
T57020001000	FRL 2 0-2 BAR
T57020002000	FRL 2 0-4 BAR
T57020003000	FRL 2 0-8 BAR
T57020004000	FRL 2 0-12 BAR
T57030001000	FRL 3 0-2 BAR
T57030002000	FRL 3 0-4 BAR
T57030003000	FRL 3 0-8 BAR
T57030004000	FRL 3 0-12 BAR

T580

Gruppo Tappo Regolatore
Regulating Plug Unit



Codice Code	
T58000000000	FRL 0
T58010000000	FRL 1
T58020000000	FRL 2
T58030000000	FRL 3

T590

Gruppo Otturatore + Filtro
Shutter + Filter Unit



Codice Code	
T59000010000	FRL 0 5 µm
T59000020000	FRL 0 20 µm
T59000030000	FRL 0 50 µm
T59010010000	FRL 1 5 µm
T59010020000	FRL 1 20 µm
T59010030000	FRL 1 50 µm
T59020010000	FRL 2 5 µm
T59020020000	FRL 2 20 µm
T59020030000	FRL 2 50 µm
T59030010000	FRL 3 5 µm
T59030020000	FRL 3 20 µm
T59030030000	FRL 3 50 µm

FIL04

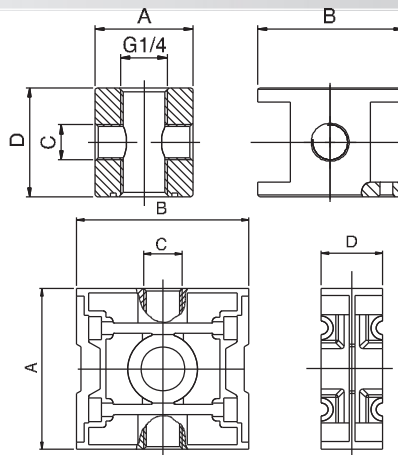
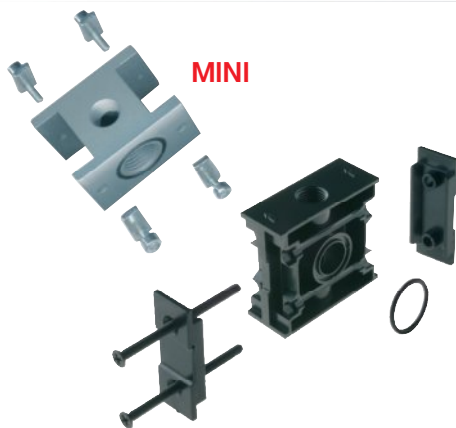
Filtro Sinterizzato
Sintered Filter



Codice Code	
FIL04003805SC	FRL 0 5 µm
FIL04003820SC	FRL 0 20 µm
FIL04003850SC	FRL 0 50 µm
FIL04101005SC	FRL 1 5 µm
FIL04101020SC	FRL 1 20 µm
FIL04101050SC	FRL 1 50 µm
FIL04201005SC	FRL 2 5 µm
FIL04201020SC	FRL 2 20 µm
FIL04201050SC	FRL 2 50 µm
FIL04301005SC	FRL 3 5 µm
FIL04301020SC	FRL 3 20 µm
FIL04301050SC	FRL 3 50 µm

DIS00

Distributore d'Aria
Air Distributor



Codice Code		A	B	C	D
DIS0001100NE	FRL 0	27	40	1/8	30
DIS0010800NE	FRL 1	42	45	1/4	24
DIS0020800NE	FRL 2	55	59	1/4	24
DIS0030800NE	FRL 3	65	70	3/8	32

T520

Gruppo Tazza Filtra
Bowl for Filter Unit

MINI



Codice Code	
T52000001000	FRL 0
T520100001000	FRL 1
T520200001000	FRL 2
T520300001000	FRL 3

T525

Gruppo Tazza Scarico Condensa Automatico
Bowl for Automatic Condensed Exhaust



Codice Code	
T525200002000	FRL 2
T525300002000	FRL 3

T530

Gruppo Tazza Lubrificatore
Bowl for Lubricator Unit

MINI



Codice Code	
T530000000100	FRL 0
T530100000100	FRL 1
T530200000100	FRL 2
T530300000100	FRL 3

T535

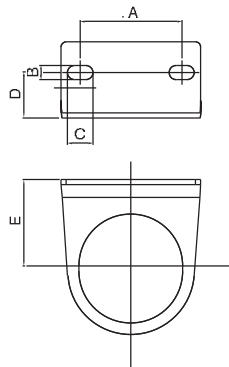
Gruppo Tazza Caricamento automatico olio
Bowl for Automatic oil loading system



Codice Code	
T535100000200	FRL 1
T535200000200	FRL 2
T535300000200	FRL 3

REG16

Staffa di Fissaggio
Clamp Bracket



Codice Code		A	B	C	D	E
REG16005000NE	FRL 0	21.5	5.5	12	15	31
REG16105000NE	FRL 1	28	5.5	10	15	29
REG16205000NE	FRL 2	40	5.5	10	18	35
REG16305000NE	FRL 3	50	5.5	10	20	39

SOL01

Solenoide
Solenoid



Codice Code	
SOL01024C1000	24V DC 3W
SOL01220A2000	220V AC 5VA